



602400 (E3HDEIOS)

Plug-in invisible Induction Holding Plate, squared, spacer included, mono zone, 650W

Main Features

- Automatic pan detection to transfer power only when pan is present.
- Self-diagnostics: an error code is displayed (Exxx) in case of dysfunction.
- Perfectly suited for holding food, providing efficient and consistent warming.
- Patented solution.
- Mandatory silicone spacer to protect the surface while guaranteeing the induction technology efficiency.
- Discreet installation under your worktop (maximum 20mm thick), easily switching from a warming spot to a neutral surface.
- Compatible with a wide range of materials (except metals), including marble, wood, granite, dekton, quartz and much more.
- Remote glass control panel with capacitive touches for intuitive operations and easy cleaning.
- Digital display with LED indicators for enhanced visibility.
- Power level settings from 1 to 20.
- Suitable for pot and pan with bottom diameter from 200 mm to 300mm.

Construction

- IP23 protection index.
- Cord and plug included.
- Induction air filters easy to clean and remove for about weekly cleaning. Dishwasher safe.

Sustainability

- Rapid heat transfer directly to the pan, no heat is dispersed into the environment.
- This model is compliant with Swiss Energy Efficiency Ordinance (730.02).



Recommended Detergents

PNC Code	Description
OS2881	S01 STAINLESS STEEL SURFACE POLISHER; 6 BOTTLES X 750ML C/T
OS2882	S02 Degreaser for ovens and SpeedDelight. Specific for cleaning the cooking chambers of GourmeXpress and SpeeDelight. Active up to a maximum of 50°C Complete with spray bottle Pack of 6 750ml bottles
OS2883	S03 ALCOHOL BASE DETERGENT; 6 BOTTLES X 750ML; ADR&IMDG&IATA Limited Quantity
OS2884	S04 GLASSES & HARD SURFACES CLEANERS; 6 BOTTLES X 750ML

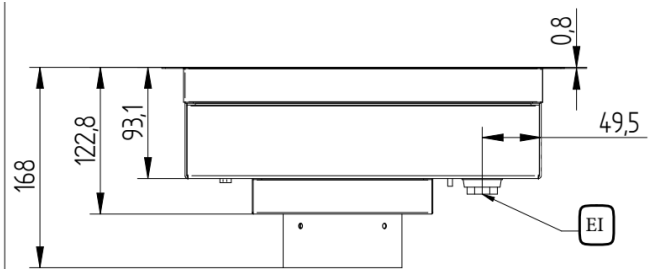


Technical specifications

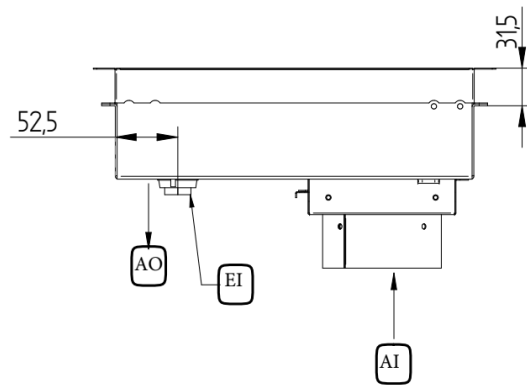
Electric

Supply voltage:	220-240 V/1N ph/50/60 Hz
Total Watts:	0.65 kW
Plug type:	CE-SCHUKO
Minimum Circuit Ampacity (MCA):	16A
Key Information:	
External dimensions, Width:	340 mm
External dimensions, Depth:	340 mm
External dimensions, Height:	167 mm
Net weight:	4.8 kg

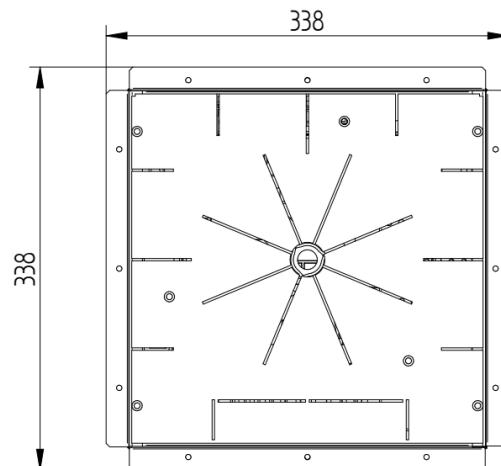
Front



Side



Top



EI = Electrical inlet (power)

EO = Electrical Outlet



Find out more:
ISO Certificates
[Electrolux Professional Recognitions](#)

The company reserves the right to make modifications to the products without prior notice. All information correct at time of printing.

2026/05/25

3/3